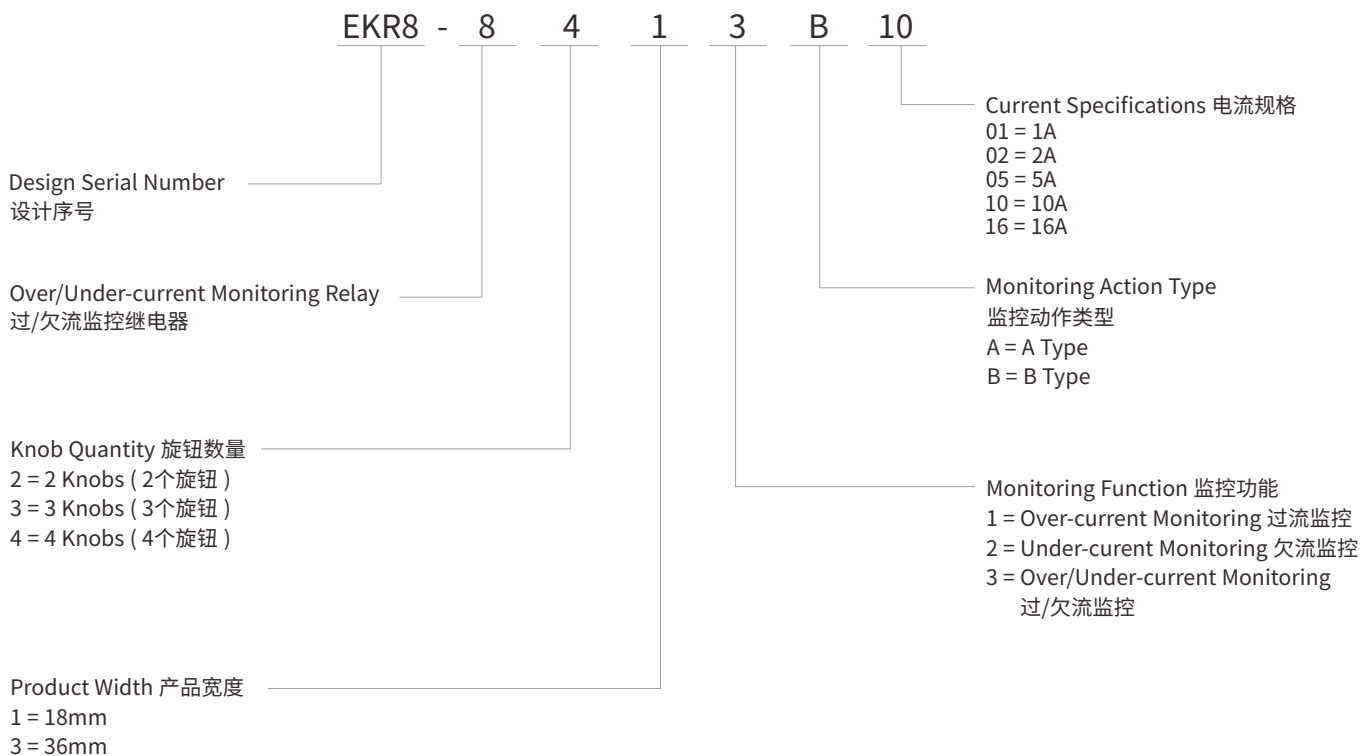


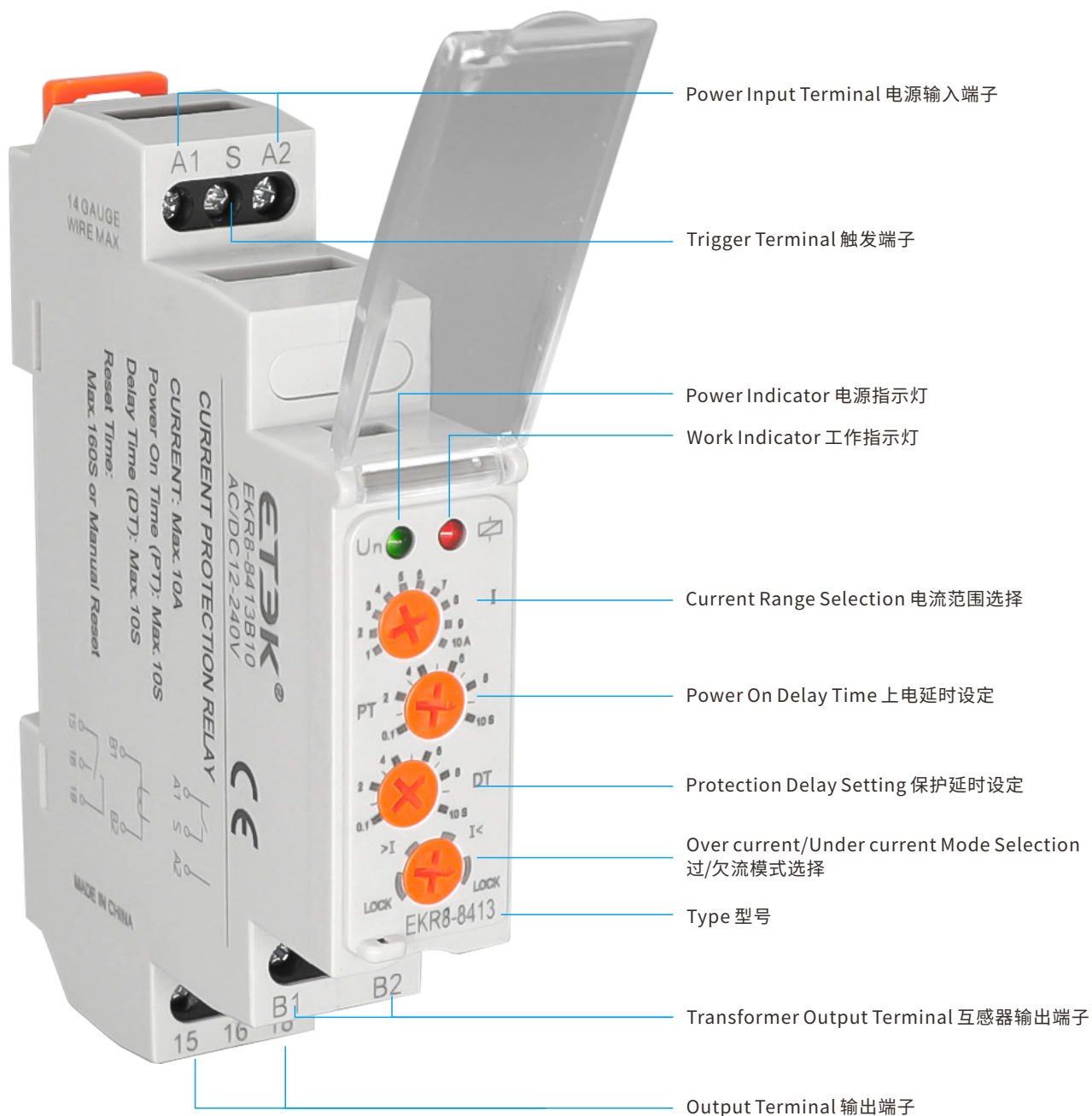
Model Naming Rules 型号命名规则



EKR8-8 Series Current Monitoring Relay

电流监控继电器

Front view: function selector and regulators
前视图：功能选择器和调节器



EKR8-8 Series Current Monitoring Relay

电流监控继电器

A Series

Over/Under-current Monitoring Relay A系列过/欠流监控继电器

When the working current suddenly increases or decreases due to various faults of load, protective measures must be taken, otherwise serious safety accidents are likely to occur. When the fault current reaches the set value of the protector, the contact of the current relay is closed after a pre-set delay, and the signal alarm device is activated. 当负载因各种故障造成工作电流突然增大或减小时, 必须要采用保护措施, 否则容易发生严重的安全事故。当故障电流达到保护器的设定值时, 电流继电器经过预定的延时后, 触点闭合, 启动信号报警装置。

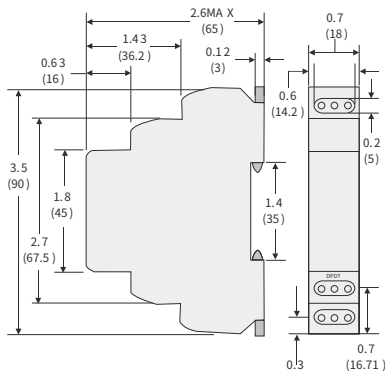
EKR8-8 Series



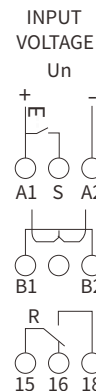
Type 型号	Current specification 电流规格
EKR8-8211A**	1A/2A/5A 10A/16A
EKR8-8212A**	
EKR8-8311A**	
EKR8-8312A**	
EKR8-8413A**	
EKR8-8231A**	
EKR8-8232A**	
EKR8-8331A**	
EKR8-8332A**	
EKR8-8433A**	

Output Features 输出特性		SPDT
Output Features 输出特性		Silver Alloy 银合金
Contact Material 触点材料		500mW
Minimum Switching Power 最小切换功率		Red Light 红灯
Indicator Light 指示灯		
Input Features 输入特性		
Voltage Range 电压范围		AC/DC12-240V 或 Single Voltage 单电压
Working Range 工作范围		-0.25A ~ +0.25A
Max Power Consumption 最大功耗		3VA(AC) 1.7W(DC)
Indicator Light 指示灯		Green Light 绿灯
Performance Features 性能特性		
Protection Delay Range 保护延时范围		Max.10S
Reset Delay Range 重置延时范围		Max.10S
Electrical Life 电气寿命		10 ⁵
Mechanical Life 机械寿命		10 ⁷
Dielectric strength 介电强度	between input and contacts	2500VAC
	between contacts 触点间	1000VAC
Terminal Wire Capacity 端子导线容量		14AWG(2.1mm ²)
Torque of Terminal 端子扭矩		7.1 lbf in (0.8Nm)
Environment 环境		
Environment	Storage 贮存	-30°C ~ +70°C
Temperature 环境温度	Working 工作	-20°C ~ +55°C
Weight 重量		65g

Dimensions外形尺寸图:in 英寸 (mm 毫米)



Wiring Diagrams 接线图



EKR8-8 Series Current Monitoring Relay



电流监控继电器

B Series

Over/Under-current Monitoring Relay B系列过/欠流监控继电器

When the working current suddenly increases or decreases due to various faults of load, protective measures must be taken, otherwise serious safety accidents are likely to occur. When the fault current reaches the set value of the protector, the contact of the current relay is closed after a pre-set delay, and the signal alarm device is activated. 当负载因各种故障造成工作电流突然增大或减小时, 必须要采用保护措施, 否则容易发生严重的安全事故。当故障电流达到保护器的设定值时, 电流继电器经过预定的延时后, 触点闭合, 启动信号报警装置。

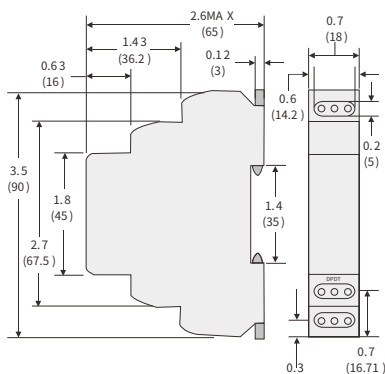
EKR8-8 Series



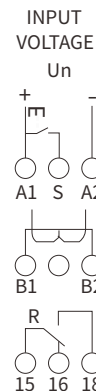
Type 型号	Current specification 电流规格
EKR8-8211B**	1A/2A/5A 10A/16A
EKR8-8212B**	
EKR8-8311B**	
EKR8-8312B**	
EKR8-8413B**	
EKR8-8231B**	
EKR8-8232B**	
EKR8-8331B**	
EKR8-8332B**	
EKR8-8433B**	

Output Features 输出特性		SPDT
Contact Material 触点材料	Silver Alloy 银合金	
Minimum Switching Power 最小切换功率	500mW	
Indicator Light 指示灯	Red Light 红灯	
Input Features 输入特性		
Voltage Range 电压范围	AC/DC12-240V 或 Single Voltage 单电压	
Working Range 工作范围	-0.25A ~ +0.25A	
Max Power Consumption 最大功耗	3VA(AC) 1.7W(DC)	
Indicator Light 指示灯	Green Light 绿灯	
Performance Features 性能特性		
Protection Delay Range 保护延时范围	Max.10S	
Reset Delay Range 重置延时范围	Max.10S	
Electrical Life 电气寿命	10 ⁵	
Mechanical Life 机械寿命	10 ⁷	
Dielectric strength 介电强度	between input and contacts	2500VAC
	between contacts 触点间	1000VAC
Terminal Wire Capacity 端子导线容量	14AWG(2.1mm ²)	
Torque of Terminal 端子扭矩	7.1 lbf in (0.8Nm)	
Environment 环境		
Environment	Storage 贮存	-30°C ~ +70°C
Temperature 环境温度	Working 工作	-20°C ~ +55°C
Weight 重量	65g	

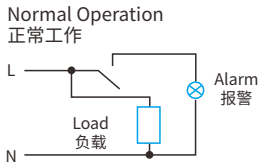
Dimensions外形尺寸图:in 英寸 (mm 毫米)



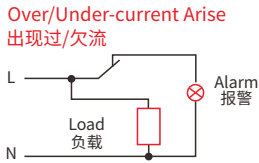
Wiring Diagrams 接线图



A Series Action Chart A系列动作图

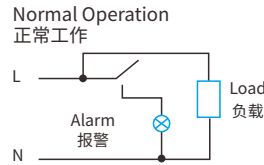


Relay is in a normally closed state. Alarm off.
继电器正常吸合状态, 报警断开。

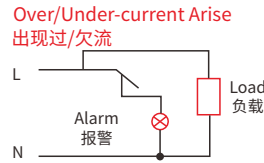


Relay is released, NC contact is closed with alarm output.
继电器释放, 常闭触点闭合, 报警输出

B Series Action Chart B系列动作图



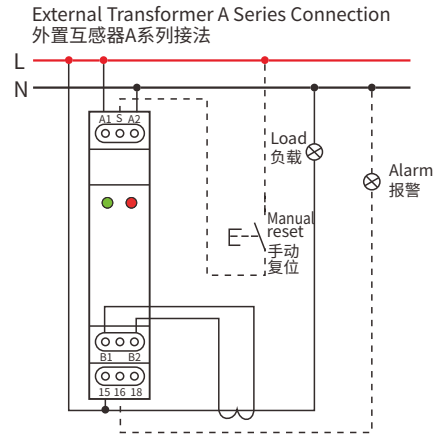
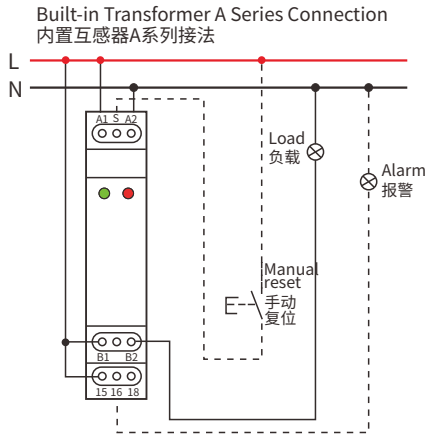
Relay is under normal release state. Alarm off.
继电器正常释放状态, 报警断开。



Relay is closed, NO contact is closed with alarm output.
继电器吸合, 常开触点闭合, 报警输出

Wiring Diagram 接线图

A Series Wiring Diagram A系列接线图



B Series Wiring Diagram B系列接线图

